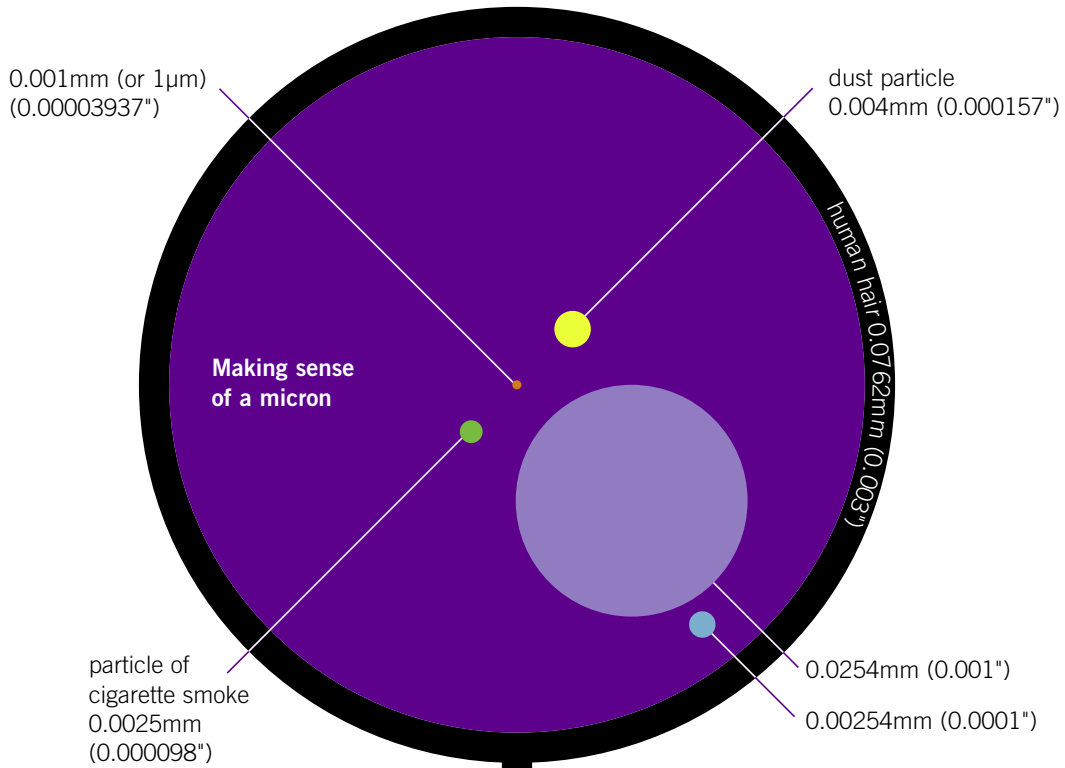


Applications

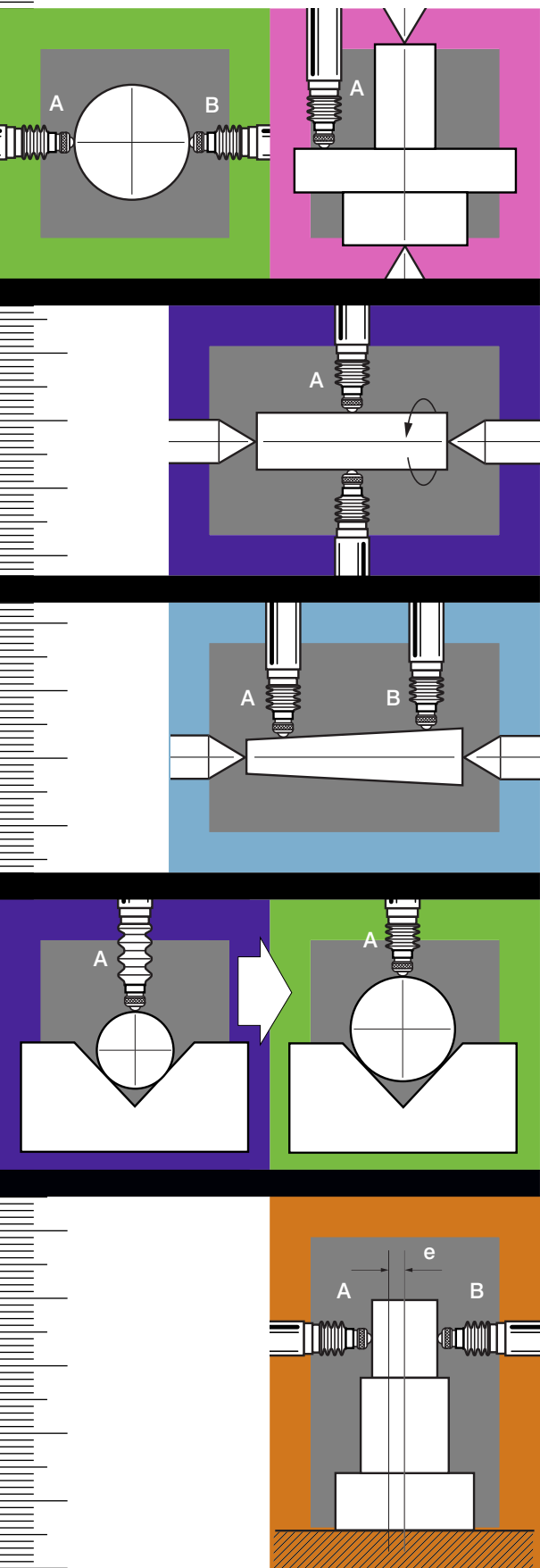


The following section covers applications and techniques for typical gauging (dimensional) and displacement (position) measurements together with an overview of the many measurement parameters obtainable via other Orbit Interface Modules.

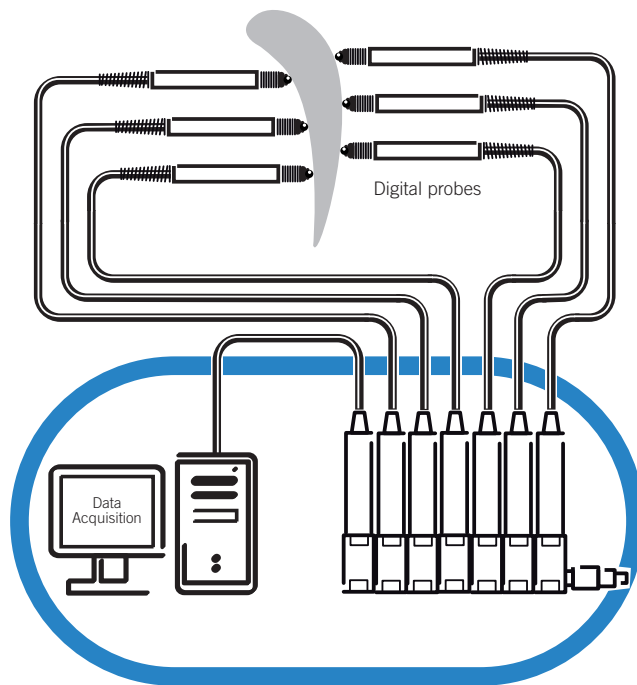
- > Dimensional measurement applications
- > Position measurement applications
- > Orbit test and measurement applications

Dimensional measurement applications

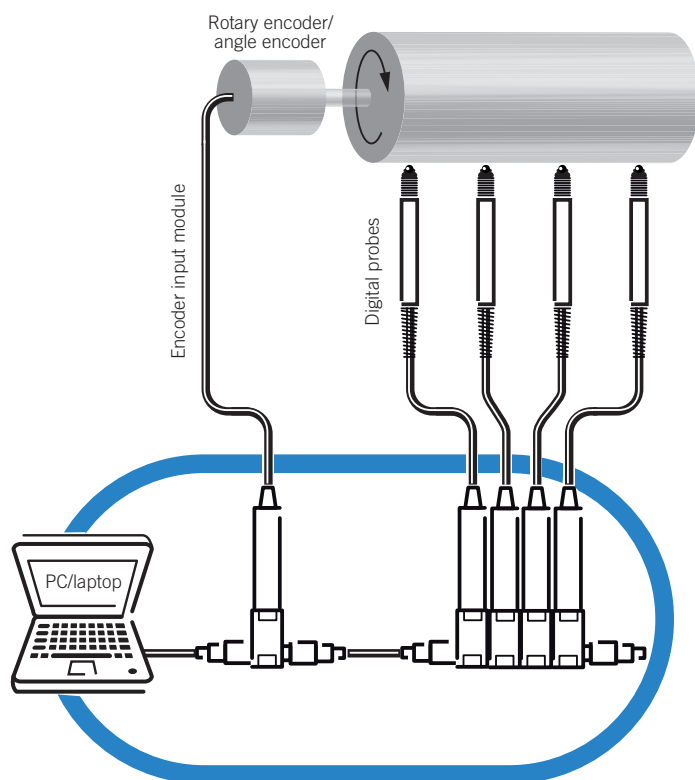
14



Freeform measurement

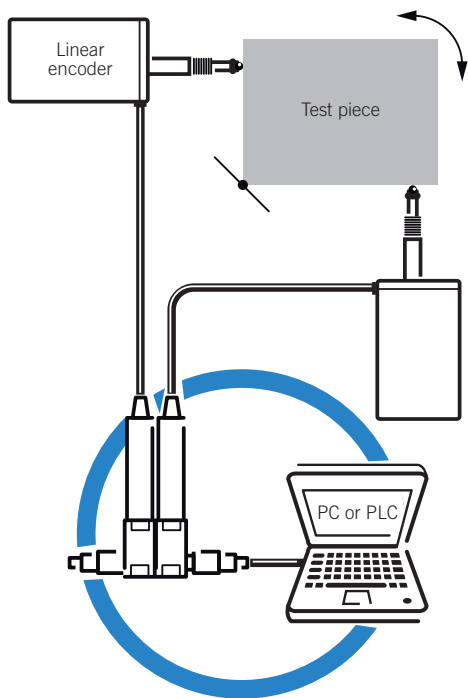


Dynamic/triggered measurement



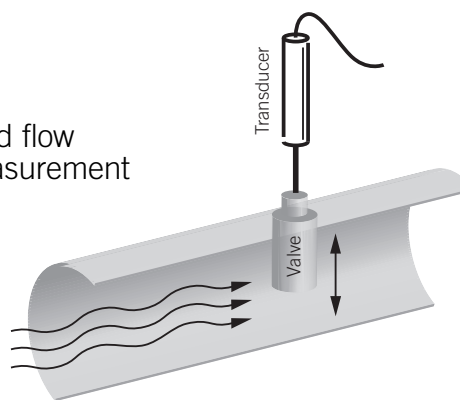
Position measurement applications

Angle/tilt measurement

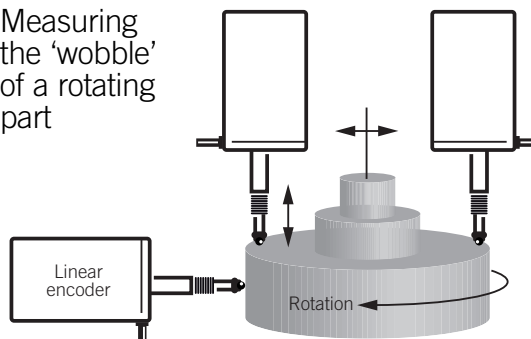


Orbit® network

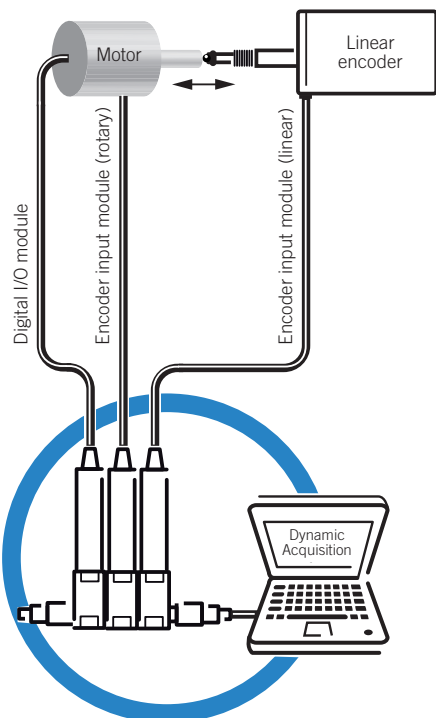
Fluid flow measurement



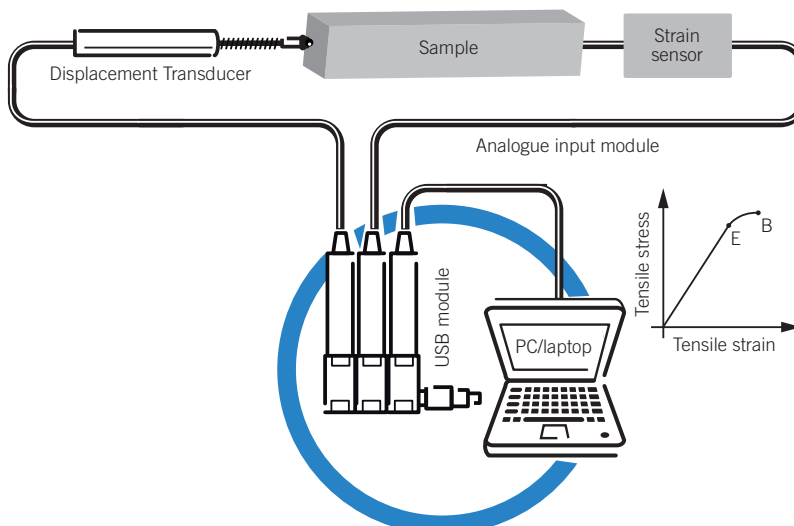
Measuring the 'wobble' of a rotating part



Control & Test of precision actuation mechanisms
(eg. motors, solenoids, piezo actuators, etc.)



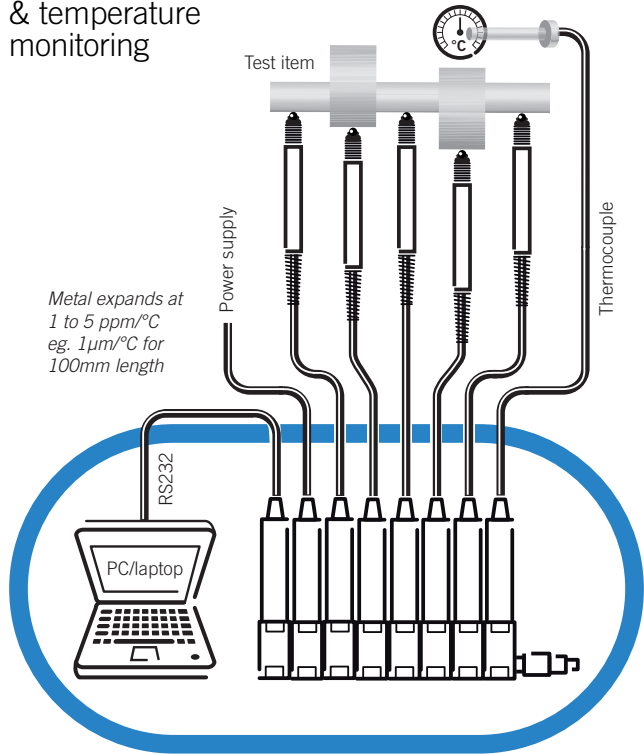
Strain measurement



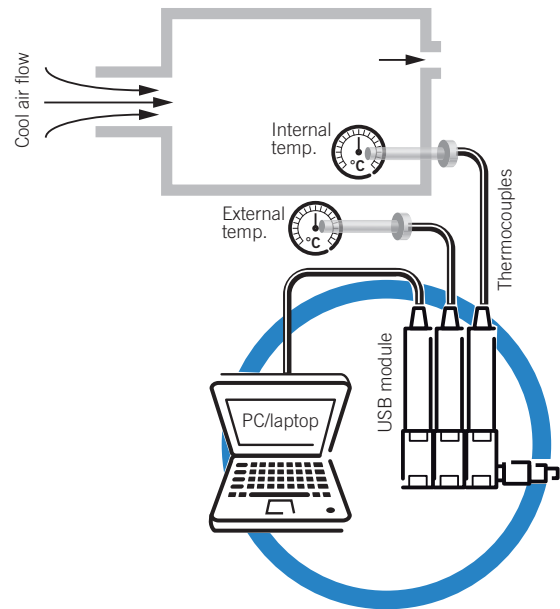
Orbit[®] test & measurement applications

16

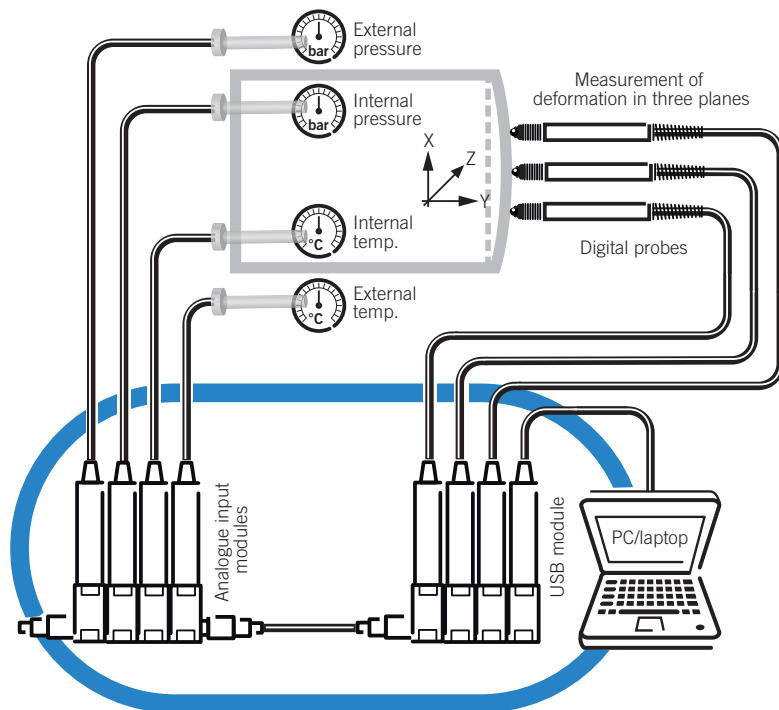
Part gauging & temperature monitoring



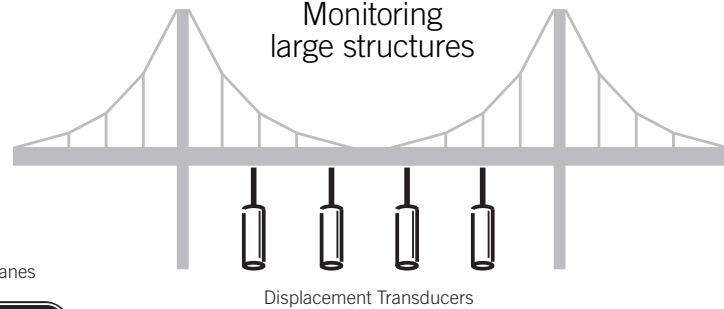
Air conditioning testing



Gas chamber measurement



Monitoring large structures



Tensile testing

