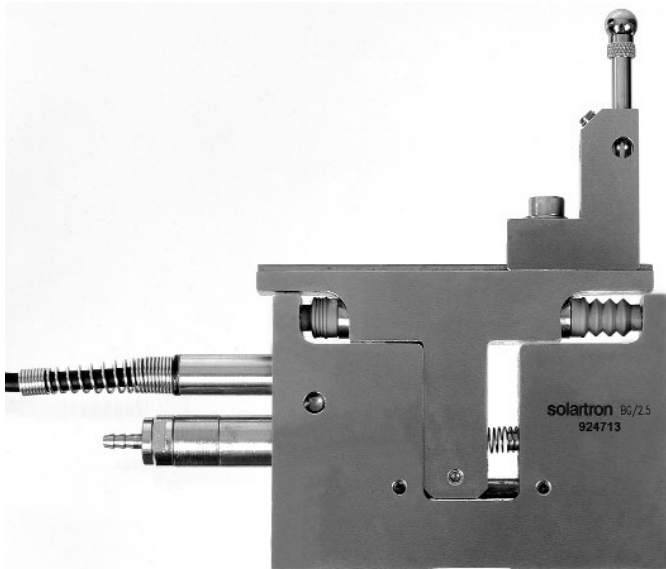


# Block Gauge



user manual



# 1.0: Index

---

<b>Section</b>	<b>Title</b>	<b>Page</b>	<b>Section</b>	<b>Title</b>	<b>Page</b>
1.0	Index . . . . .	1	8.2	Mechanical . . . . .	14
2.0	Safety Summary . . . . .	2	8.3	Environmental . . . . .	14
3.0	Introduction . . . . .	3	8.4	Electrical Interface. . . . .	15
4.0	Components of the Block Gauge . . . . .	4	9.0	Connections . . . . .	16
5.0	Care of the Block Gauge . . . . .	5	9.1	Analogue Block Gauge . . . . .	16
6.0	Mechanical Installation . . . . .	6	9.2	Digital Block Gauge . . . . .	17
6.1	Tip Installation/Replacement . . . . .	7	10.0	Outline Drawings . . . . .	18
6.2	Tool Holder Installation/Adjustment . . . . .	8	10.1	Mechanical Drawings . . . . .	18
6.3	Spring Installation/Adjustment . . . . .	9	10.2	Configuration Drawing . . . . .	21
6.4	Pneumatic Actuator Installation . . . . .	10		Return of Goods	
7.0	Maintenance . . . . .	11		Solartron Sales Offices	
7.1	Sensor Replacement . . . . .	11			
8.0	Specifications . . . . .	12			
8.1	Measurement . . . . .	12			

# 2.0: Safety Summary

---

## Terms in this Handbook

**WARNING** statements identify conditions or practices that could result in personal injury or loss of life.

**CAUTION** statements identify conditions or practices that could result in damage to the equipment or other property.

## Symbols in this manual



This symbol indicates where applicable cautionary or other information is to be found.

## WARNINGS:

### **Do not operate in an explosive atmosphere**

To avoid explosion, do not operate this equipment in an explosive atmosphere.

### **Air Pressure**

Under no circumstances should the recommended maximum overpressure of 7 bar be exceeded when using pneumatics with the Block Gauge.

## NOTES:

### **This equipment contains no user serviceable parts**

This equipment must be returned to your Solartron dealer for all servicing and repair (see section 10/11).

### **Low Voltage**

This equipment operates at below the SELV and is therefore outside the scope of the Low Voltage Directive.

# 3.0: Introduction

---

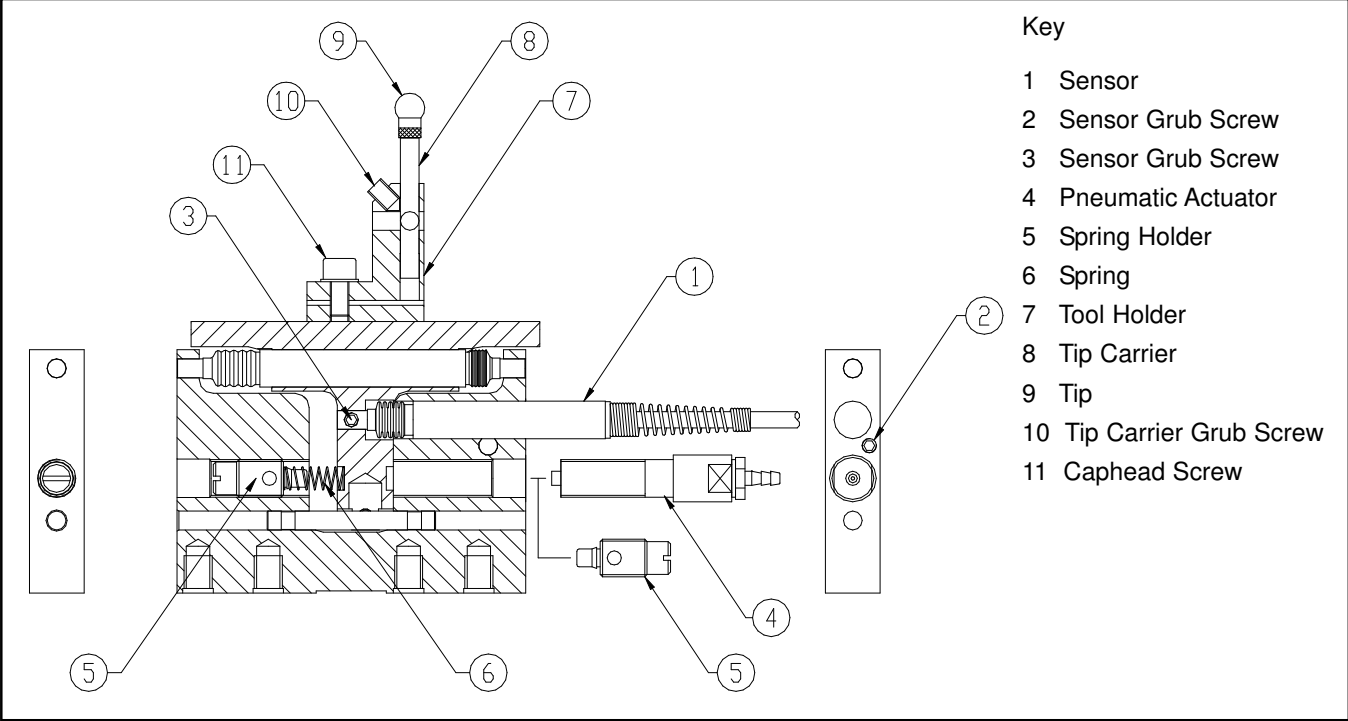
The Block Gauge family makes precision measurements of bores and cavities a simple and reliable process. The use of these devices is ideal in applications where space is limited and where the use of axial probes is not possible.

Both digital and analogue versions of the Block Gauge are available, with measurement ranges of 2mm, 5mm or 10mm.

The analogue versions can be used with standard conditioning electronics.

The digital versions are designed to be connected directly onto the Orbit Measurement Network, a modular system enabling fast and versatile connection of multiple probes.

# 4.0: Components of the Block Gauge



# 5.0: Care of the Block Gauge

---

The Block Gauge is a rugged parallel motion Universal Gauge designed to withstand the rigours of an industrial manufacturing environment. However, care should be taken during installation to avoid dropping the Block Gauge or subjecting it to severe shock loads.

In order to avoid damage to the linear bearings, it is important not to exceed the specified torque setting (1.5 to 2Nm) of the fixing screw (11) when adjusting the tool holder (7).

The contact tip (9) should be fitted to the tip carrier (8) and tightened before the tip carrier is fitted to the tool holder. Tip carriers are available in 20mm, 30mm and 40mm versions.

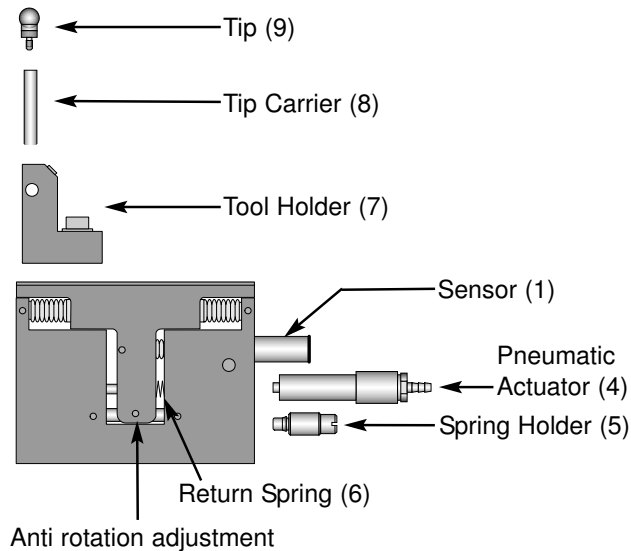
# 6.0: Mechanical Installation

First establish the orientation in which the Block Gauge will be used. The choice of return spring (6) and its position depends on the orientation of the gauge and should be made after the tool holder (7) and contact tip (9) have been fitted. A set of return springs (for different measurement forces) are included with each gauge.

It may be easier to set contact tip forces as close as possible to operating forces before the Block Gauge is installed onto a machine or fixture. Final adjustments may then be made after installation. Final adjustment of the spring force is made by winding the spring holder (5) in or out. (section 5.3)

When fitting a pneumatic actuator (4), ensure that the threads in the Block Gauge and the actuator are clean. In order to avoid damage to the actuator or the Block Gauge, it is important not to exceed the specified air pressure.

When mounting the Block Gauge in a fixture, care must be taken not to drop the gauge or apply excessive shocks which may degrade performance. It should be secured by using the fixing screws at the base of the Block Gauge. The fixing screws are M6. The thread depth in the body is 8mm.



## CAUTION



**The pneumatic Block Gauge works at a higher air pressure than pneumatic Gauging Probes. In order to avoid damage to Gauging Probes when used in conjunction with Block Gauges, it is important that separate regulators are used for each product.**

# 6.0: Mechanical Installation (continued)

---

## 6.1: Tip Installation/Replacement

To avoid placing strain on the tool holder (7) and the Block Gauge frame, the tip carrier (8) should be removed from the tool holder before fitting or removing a tip (9).

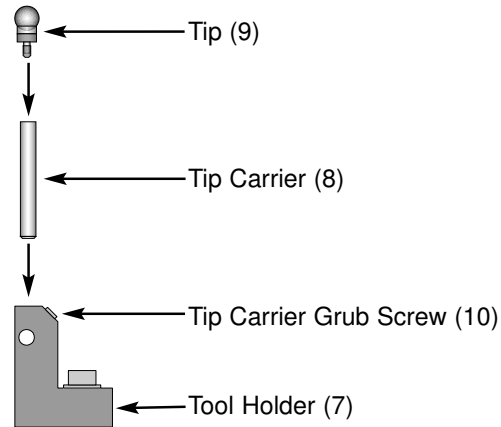
The Block Gauge tool holder allows the Block Gauge tip and tip carrier to be mounted in one of three different planes for maximum flexibility.

### Tip Removal

1. Loosen the 2.5mm tip carrier grub screw (10) which holds the tip carrier (8) in place.
2. Remove the tip carrier from the tool holder (7).
3. Unscrew the tip (9) from the end of the tip carrier.

### Tip Installation

1. Screw the tip (9) into the tip carrier (8).
2. Position the tip carrier in the tool holder (7).
3. Tighten the 2.5mm tip carrier grub screw (10). Take care not to overtighten it.





# 6.0: Mechanical Installation (continued)

---

## 6.2: Tool Holder Installation/Adjustment

The tool holder is infinitely adjustable along the industry standard dovetail fitting on the Block Gauge frame. This dovetail fitting ensures that the gauge is rigid yet easy to install and adjust.

### Tool Holder Adjustment

1. Loosen the caphead screw (11) located on the tool holder (7) using a 3 mm Allen key.
2. Slide the tool holder to the required position.
3. Tighten the screw.



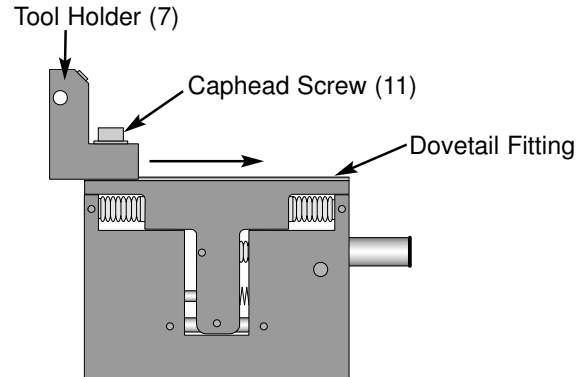
### CAUTION

In order to avoid damage to the linear bearings, it is important not to exceed the specification for the torque setting (1.5 to 2Nm) of the fixing screw when adjusting the tool holder.

### Tool Holder Installation

To remove the tool holder (7), loosen the caphead screw (11) located on the tool holder using a 3mm Allen key. Slide the tool holder off the dovetail.

To re-install the tool holder, simply slide it over the dovetail joint to the required position and then tighten the caphead screw.



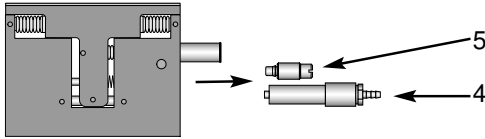
# 6.0: Mechanical Installation (continued)

---

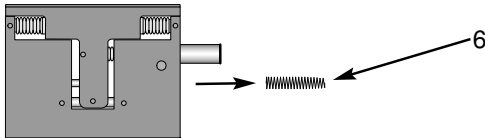
## 6.3: Spring Installation/Adjustment

The choice of spring return and its position depends on the orientation of the gauge and should be made after the tool holder and contact tip have been fitted. (See section 6.2). A set of four return springs are included with each gauge.

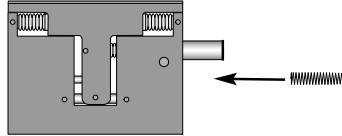
1. Unscrew and remove the spring holder (5) or pneumatic actuator (4) if this was being used.



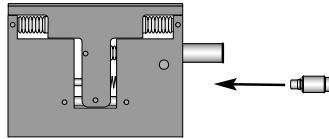
2. Remove the spring (6) if installed.



3. Select an appropriate spring, and insert this into the frame.



4. Insert the screw holder back into the Block Gauge frame and screw in.



5. Final adjustment to the spring force is made by winding the spring holder in or out using a flat blade screwdriver.

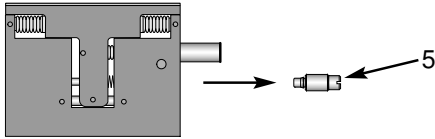
Refer to section 10.2 for information on the configuration of the spring and pneumatic actuator.

# 6.0: Mechanical Installation (continued)

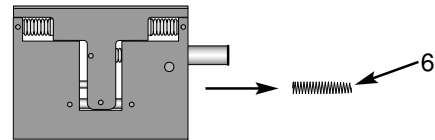
---

## 6.4: Pneumatic Actuator Installation

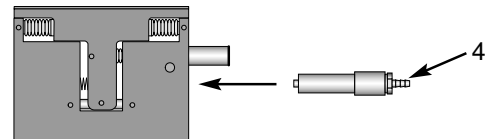
1. Unscrew and remove the spring holder (5).



2. Remove the spring (6) if it is installed.




3. Install a spring and spring holder opposite to where the pneumatic actuator is to be installed (section 5.3).
4. Insert the pneumatic actuator (4) and screw until tight. Do not overtighten.



To maximise the working life of the Block Gauge, the air supply should be both clean and dry for continual reliable operation. The air should have a maximum relative humidity of 60% RH and be filtered to better than 5µm particle size.

When fitting a pneumatic actuator, ensure that threads in the Block Gauge and the actuator are clean. In order to avoid damage to the actuator or the Block Gauge, it is important not to exceed the specification for air pressure.

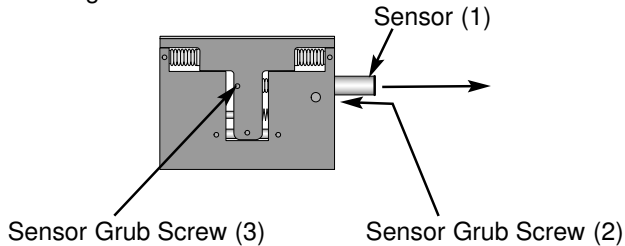
**CAUTION**  
 **The pneumatic Block Gauge works at a higher air pressure than pneumatic gauging probes. In order to avoid damage to gauging probes when used in conjunction with Block Gauges, it is important that separate air pressure regulators are used for each product type.**

# 7.0: Maintenance

## 7.1 Sensor Replacement - Analogue Version Only

### Sensor Removal

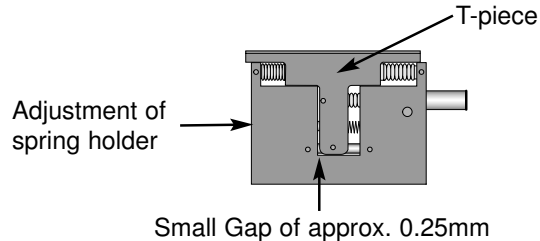
1. Loosen the two sensor grub screws (2 & 3) which hold the sensor (1) in place.
2. Gently ease the sensor away from the frame. Care must be taken not to damage the core or the gaiter during removal.



### Sensor Installation

1. Insert the replacement sensor (1) into the Block Gauge frame. Care must be taken not to damage the core or the gaiter during insertion. The carrier must not protrude from the T-piece.
2. Tighten sensor grub screw (3), but leave screw (2) loose.


3. Adjust the spring holder (5) opposite the sensor so that there is a small gap of approximately 0.25mm between the T-piece and the frame (see below).



4. Move the T-piece in by 2.65mm. The T-piece must remain fixed in this position during the setting of electrical null.
5. Connect an oscillator supply to the sensor.
6. Monitor the output of the sensor on a DVM.
7. Adjust the position of the sensor relative to the frame to achieve minimum output on the DVM. Care should be taken not to rotate the sensor during this adjustment. This is electrical null.
8. Tighten sensor grub screw (2).

# 8.0: Specifications

## 8.1: Measurement

		Analogue	Digital
<b>Measurement Range (mm)</b>		±1.0, ±2.5 and ±5	2, 5 and 10
<b>Mechanical Travel (mm)</b>		3, 6 and 11	3, 6 and 11
<b>Accuracy<sup>(1)</sup></b>	<b>2mm</b>	±1.0 µm or ±0.5% x D ±2.5 µm or ±0.5% x D ±5.0 µm or ±0.5% x D (whichever the greater) at 5kHz for LVDT, at 10kHz for half bridge	±0.1 µm ±0.1% x D ±0.1 µm ±0.15% x D ±0.1 µm ±0.15% x D
	<b>5mm</b>		
	<b>10mm</b>		
<b>Repeatability (on-axis at 70 g tip force)</b>	<b>2mm</b>	0.25 µm	
	<b>5mm</b>	0.25 µm	
	<b>10mm</b>	0.50 µm	
<b>Resolution</b>		Dependent on Electronics	User selectable to < 0. 1(µm)
<b>Null Position</b>		Adjustable	 Do Not Adjust
<b>Tip Force<sup>(2)</sup></b>	<b>2mm</b>	0.75 N minimum	
	<b>5mm</b>		
	<b>10mm</b>		
<b>Temperature Coefficient</b>	<b>2mm</b>	± 0.2 µm/°C	
	<b>5mm</b>	± 0.5 µm/°C	
	<b>10mm</b>	± 1.0 µm/°C	
<b>Life</b>		Better than 5 million measuring cycles (dependent on application)	

Accuracies quoted are through the gauge centreline.

Unplugged (free lead) and other specification available on request.

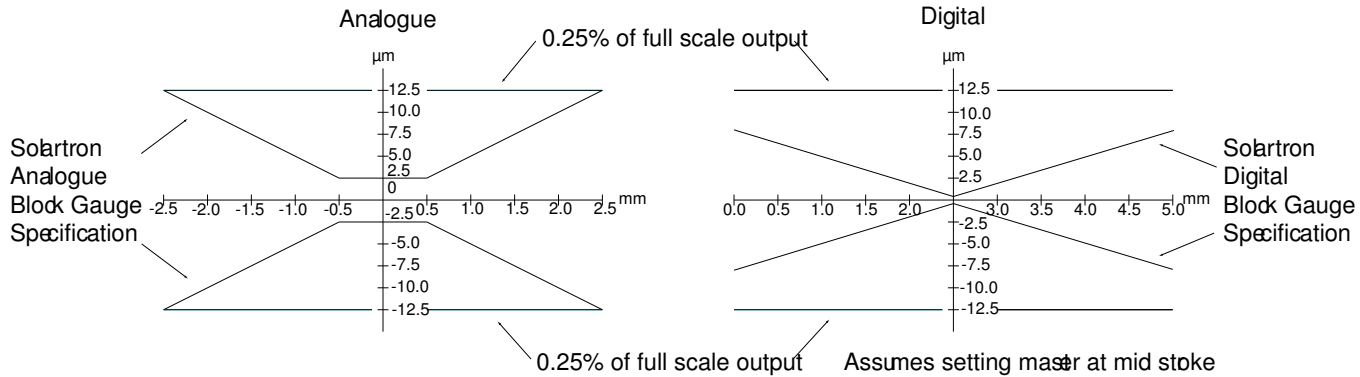
(1) Accuracy includes both linearity and sensitivity errors (D is the distance from setting master).

(2) Maximum tip force is 3.5N. A selection of springs can be supplied for attitude and dead wight compensation. Care should be taken as the probe performance (accuracy and repeatability) may degrade at high tip forces.

# 8.0: Specifications (continued)

## 8.1: Measurement

Note 1: The linearity specification includes errors due to both linearity and sensitivity. Other manufacturers may quote these errors separately. These linearity specifications are substantially more demanding than the 0.25% full scale conventionally specified, as shown in the diagram below. The Digital Block Gauge specification includes the linearity and sensitivity for both the Block Gauge and the electronics.



Note: Example is for 5mm Block Gauge

# 8.0: Specifications (continued)

---

## 8.2: Mechanical

		Analogue	Digital
<b>Mass (g / lbs)</b> (Without toolholder)	2mm	160 g (0.352 lbs)	
	5mm	390 g (0.858 lbs)	
	10mm	385 g (0.847 lbs)	
<b>Mass of moving parts (g / lbs)</b>	2mm	35 g (0.077 lbs)	
	5mm	90 g (0.198 lbs)	
	10mm	95 g (0.209 lbs)	
<b>Material</b>	Stainless Steel (300 Series) with Viton® Gaiters		
<b>IP Rating</b>	IP65	IP65	IP43 for electronics
<b>Operating Pressure</b>	1 bar to 3 bar		

## 7.3: Environmental

	Analogue	Digital
<b>Storage Temperature (°C)</b>	-40 to +85	-20 to +70
<b>Operating Temperature (°C)</b>	+5 to +85	+5 to +65
<b>Shock</b>	To maintain best performance, the Block Gauge should be protected from excessive shock loads and dropping	

# 8.0: Specifications (continued)

## 8.4: Electrical Interface

		Analogue		Digital
		LVDT	Half Bridge	
<b>Energising Voltage</b>		1 to 10 Vrms		5 V $\pm$ 0.25 Vdc
<b>Energising Frequency</b>		2 to 20 kHz		Not Applicable
<b>Energising Current</b>		2 mA/V at 5 kHz	2 mA/V at 10 kHz	55 mA at 5 VDC
<b>Calibration Voltage</b>		3 V		Not Applicable
<b>Calibration Frequency</b>		5 kHz	10 kHz	Not Applicable
<b>Calibration Load</b>		10 K $\Omega$	2 K $\Omega$	Not Applicable
<b>Sensitivity (mV/V/mm)</b>	<b>2mm</b>	200 $\pm$ 0.5%	73.5 $\pm$ 0.5%	Not Applicable
	<b>5mm</b>	80 $\pm$ 0.5%	29.4 $\pm$ 0.5%	
	<b>10mm</b>	40 $\pm$ 0.5% at 5 kHz	14.7 $\pm$ 0.5% at 10 kHz	

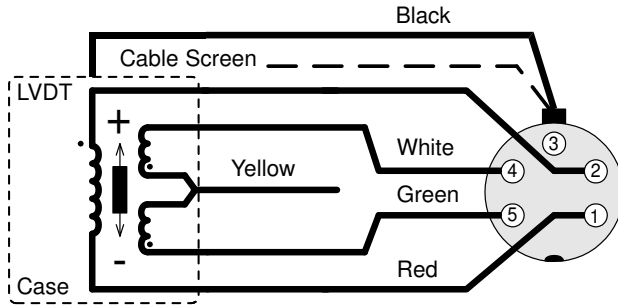
Note: Operation outside of calibration voltage, frequency and load may degrade performance.



# 9.0: Connections

## 9.1: Analogue Block Gauge

### LVDT Electrical Connections

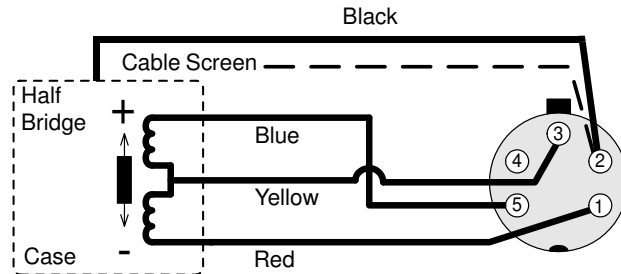


Note 1: + indicates forward movement of the tip.

Note 2: The transducer body may be disconnected from the cable screen by cutting the black wire inside the connector.

LVDT Electrical Connections	
Red & Blue	Energising
Green & White	Signal
Yellow	Secondary Centre Tap
Red & White	In Phase for Inward Displacement
Black	Transducer Body Ground

### Half Bridge Electrical Connections



Note 1: + indicates forward movement of the tip.

Note 2: The transducer body may be disconnected from the cable screen by cutting the black wire inside the connector.

Half-Bridge Electrical Connections	
Red & Blue	Energising
Yellow	Signal
Red & Yellow	In Phase for Inward Displacement
Black	Transducer Body Ground

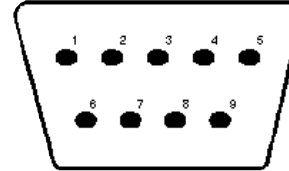
# 9.0: Connections (continued)

---

## 9.2: Digital Block Gauge

### PIE Pin assignment

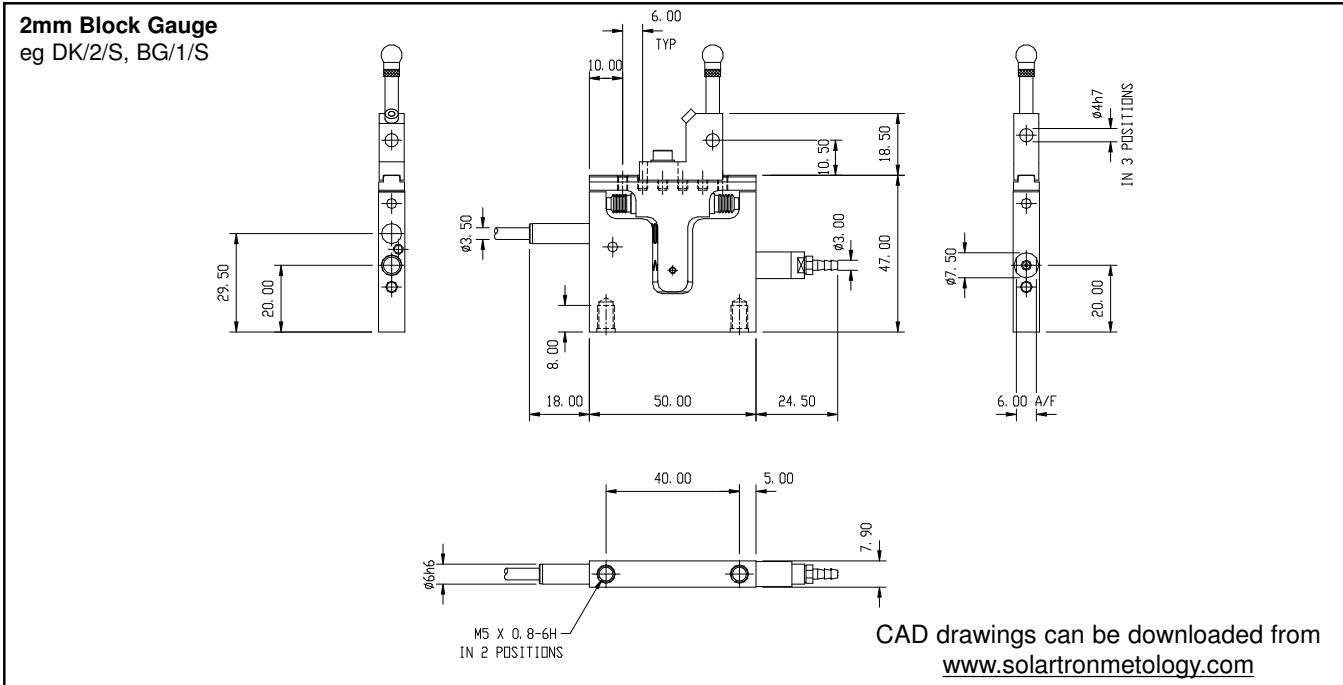
Pin	Function
1	(none)
2	RS485(A)
3	RS485(B)
4	0V
5	0V
6	+5V
7	+5V
8	+5V
9	0V



PIE can be fitted directly into the back of the Digital Readout or linked into the 'Orbit' Network using the stackable T-CON connectors.

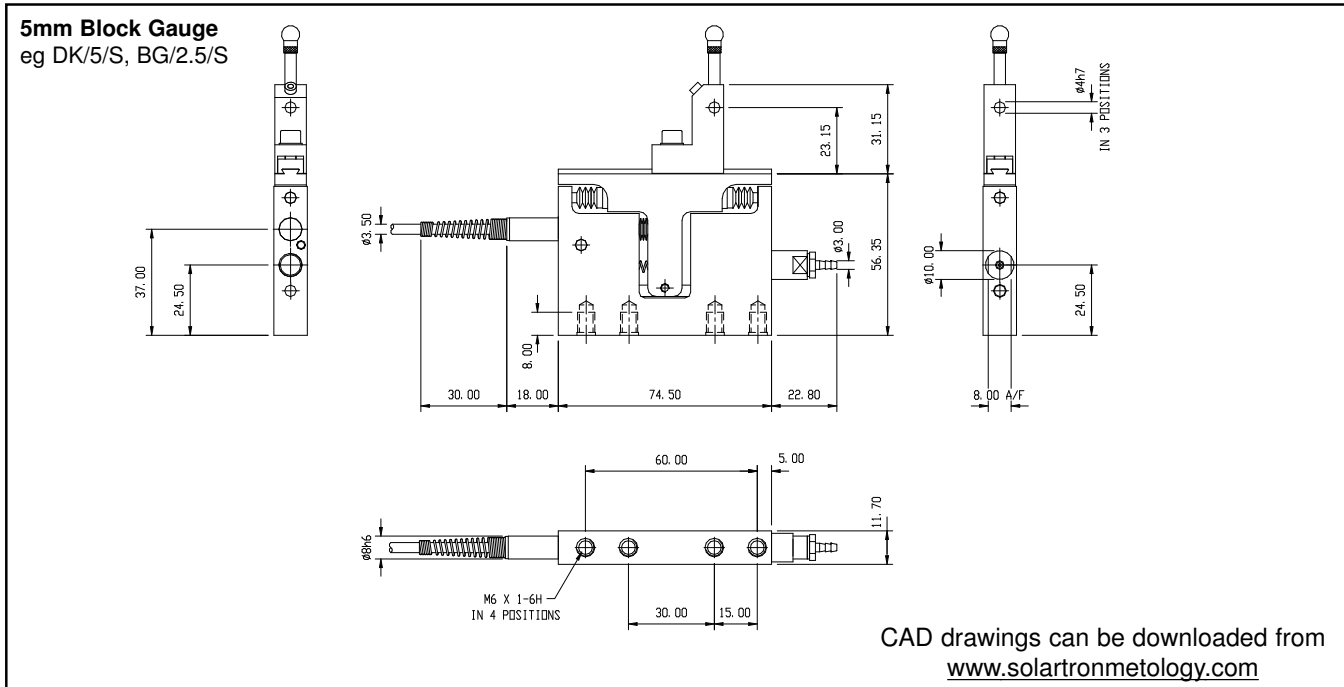
# 10.0: Outline Drawings

## 10.1: Mechanical Drawings



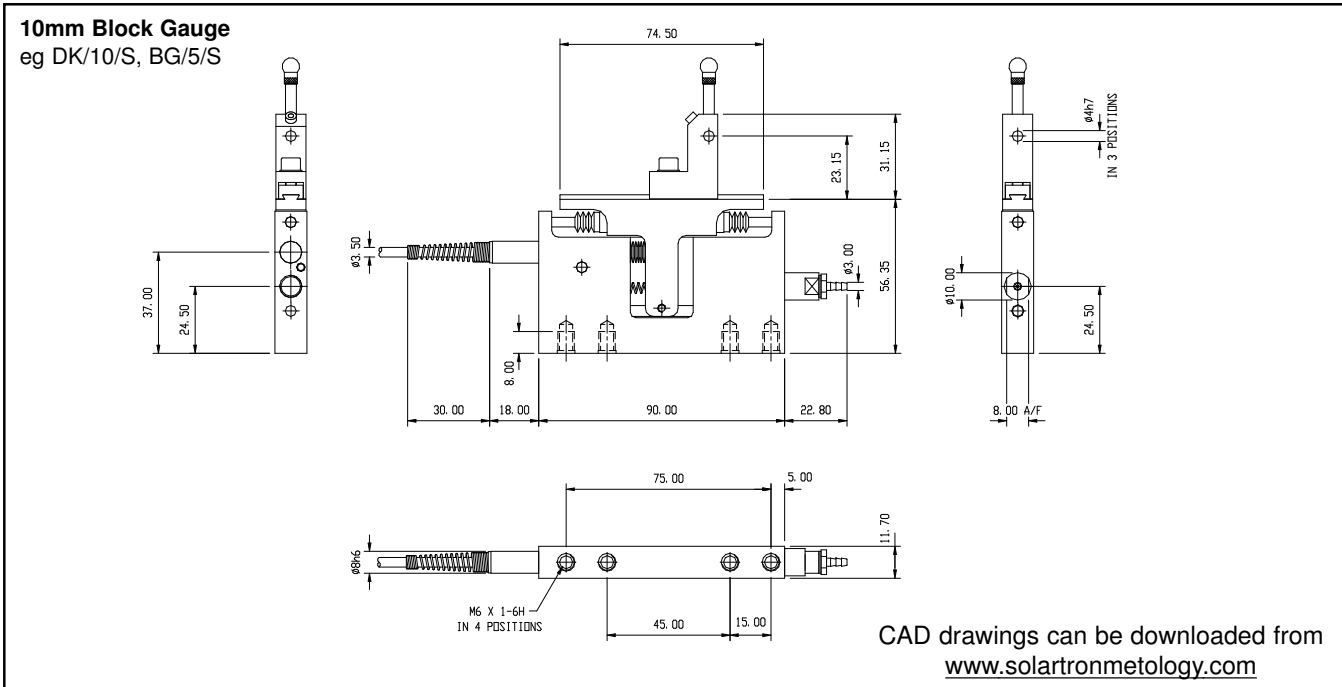
# 10.0: Outline Drawings (continued)

## 10.1: Mechanical Drawings



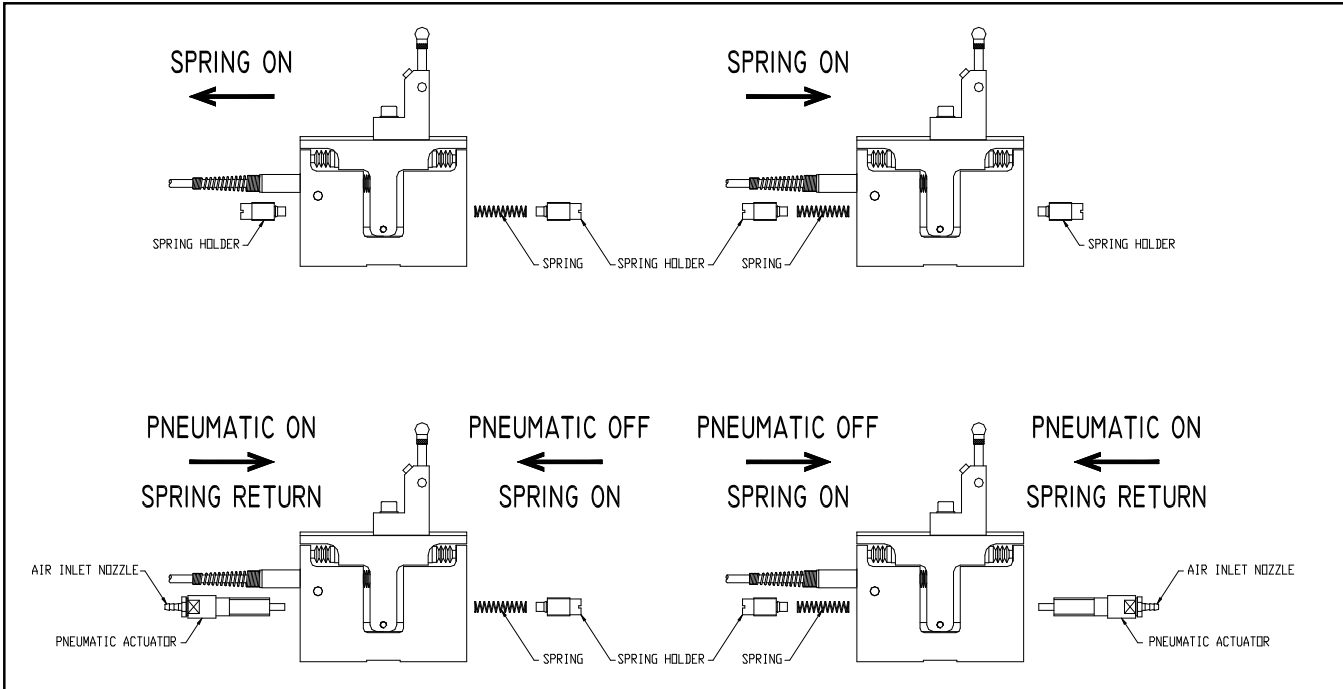
# 10.0: Outline Drawings (continued)

## 10.1: Mechanical Drawings



# 10.0: Outline Drawings (continued)

## 10.2: Configuration Drawing



# Return of Goods

---

Devices returned for service/repair/calibration should be shipped prepaid to your distributor or, if purchased directly from Solartron Metrology, to the relevant Sales Office (see below).

The shipping container should be marked: "**For the Attention of the Returns Department**"

The following information should accompany the device(s):

1. Contact details of company/person returning device, including return shipping instructions.
2. A statement of service required and purchase order.
3. Description of the device fault and the circumstances of the failure, including application environment and length of time in service.
4. Original purchase order number and date of purchase, if known.

Please note: A standard assessment charge is applicable on all non-warranty devices returned for

repair. Customer damage and any device found, upon inspection, to have no fault will be considered non-warranty.

Please contact the Sales Office or Distributor for warranty terms, service options and standard charges.

Adherence to these procedures will expedite handling of the returned device and will prevent unnecessary additional charges for inspection and testing to determine the condition.

Solartron Metrology reserves the right to repair or replace goods returned under warranty.

All repairs are guaranteed for 3 months (unless otherwise stated).

Solartron Metrology reserves the right to make changes without further notice to any products herein to improve reliability, function or design. Solartron Metrology does not assume any liability arising out of the application or use of any product or circuit described herein, neither does it convey any licence under patent rights nor the rights of others.



# SOLARTRON METROLOGY OFFICES

## OFFICES WORLDWIDE - Addresses for Repairs

### France

Solartron Metrology  
Z.I. du Bois Chaland  
2, rue du Bois Chaland  
CE 5611 Lisses  
Evry Cedex, 91056

Tel: +33 (0) 1 69 64 47 47  
Fax: +33 (0) 1 69 64 47 49  
france@solartronmetrology.com

### Germany

Solartron Metrology  
Wittekindstrasse 12  
45470  
Mülheim/Ruhr

Tel: +49 (0) 208 31026  
Fax: +49 (0) 208 31441  
vietrieb@solartronmetrology.com

### United Kingdom

Solartron Metrology  
Steyning Way  
Bognor Regis  
West Sussex  
PO22 9ST

Tel: +44 (0) 1243 833333  
Fax: +44 (0) 1243 833332  
sales@solartronmetrology.com

### U.S.A.

Solartron Metrology  
10770 Hanover Road  
Forestville  
NY 14062

Tel: +1 (716) 965 4100  
Fax: +1 (716) 965 4144  
usatech@solartronmetrology.com

[www.solartronmetrology.com](http://www.solartronmetrology.com)

**Solartron Metrology Ltd. is a subsidiary of The Roxboro Group Plc.**

